

System Summary

The **SFES** FA-SS-SD 20 Twin System provides excellent sediment filtration and mineral scale control.

This cartridge utilizes a premium high grade polypropylene filter ensuring high flow rates and treatment volumes.

The FA Twin System incorporates the patented ScaleStick™ providing unparalleled mineral scale prevention and corrosion control for predictable treatment periods.



Benefits

Removes sediment that causes cloudy ice and plugs distribution tubes and float valves

Mineral scale buildup responsible for increased maintenance is reduced

Energy efficiency and machine life are increased while reducing costly service calls

Features

Drop-In style cartridges makes filter replacement quick and easy

Compact design facilitates system placement and installation

Patented ScaleStick™ provides optimum scale prevention

Installation Summary

Place system in an accessible location for ease of filter replacement

Ensure that the system is mounted vertically with a minimum of 2" clearance from the bottom of the system to allow for filter replacement

Cold water inlet feed only

Do not over tighten fittings

Operating Tips

Recommended cartridge replacement every 6 months

Replace ScaleStick™ when the product fully dissolves to the bottom of the cartridge.

Feed holes in ScaleStick™ cartridge may get clogged. If so, remove cartridge from housing and clean out debris with paperclip.

Application

Ice Machines

System Specifications

Rated Service Flow

6.0 gpm. (22.7 lpm.)

Micron Rating

5 Micron

Operating Pressure

30 - 125 psi. (2 - 8.6 bar) non-shock

Operating Temperature

35° - 100°F (2° - 38°C)

Connection Size

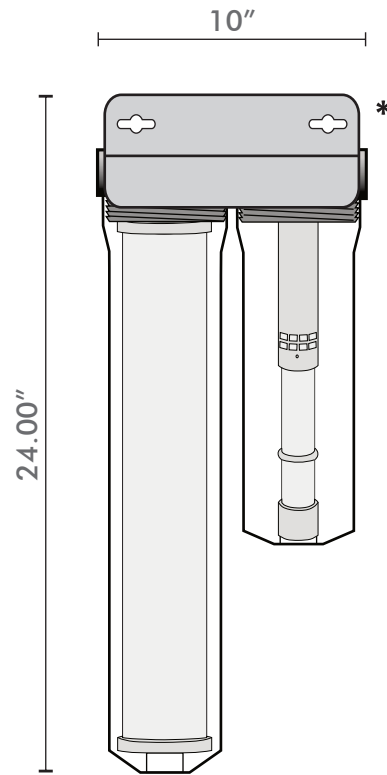
1/2" FNPT

Shipping Weight

13 lbs.

System Dimensions

24.00" x 10" x 5" (HxWxD)



Replacement Filter(s)

- (1) 404205 - SD-520 Sediment Filter
- (1) 404801 - SS-10 ScaleStick™

*** Included Accessories**

Inlet Ball Valve & Filter Wrench

Warranty

SFES systems are covered by a limited warranty against defects in material or workmanship for a period of 1 year after the date of purchase.

SFES replacement filters are covered by a limited warranty against defects in material or workmanship for a period of 1 year after the date of purchase.

Please call 1-800-935-8500 for further warranty information.

Additional Info

Do not use with water that is microbiologically unsafe or unknown quality without adequate disinfection before or after the system

System should be installed in compliance with state and local laws and regulations.



COMPONENT

The SS-10 cartridge is Tested and Certified by NSF International against ANSI/NSF Standard 42 for material requirements only.