

### System Summary

The SC-610 System provides excellent mineral scale prevention and corrosion control in food service and tankless water heater applications.

This system incorporates a HydroBlend™ cartridge that is specifically designed to work with flowthru heads.

HydroBlend™ is utilized in a solid block cartridge form. A predetermined amount of surface area of the cartridge is exposed to the water for predictable treatment periods.



### Benefits

Sequesters scale causing minerals making them more soluble in water thus reducing the chances of precipitation as hard mineral scale.

Provides corrosion control by forming a protective micro-thin lining on wetted surfaces

Helps soften and remove existing mineral scale deposits

Energy efficiency and machine life are increased while reducing costly service calls

### Installation Summary

Place system in an accessible location for ease of filter replacement

Ensure that the system is mounted vertically with a minimum of 2" clearance from the bottom of the system to allow for filter replacement

Do not over tighten fittings

### Operating Tips

Replace cartridge when the product media fully dissolves to the bottom of the cartridge.

Feed holes in cartridge may get clogged. If so, remove cartridge from housing and clean out debris with paperclip.

### Features

Drop-In style cartridges makes filter replacement quick and easy

Compact design facilitates system placement and installation

Translucent housing indicates when the cartridge needs replacement

### Application

POE - Convenience Store

Water Heaters

Cooling Towers

### System Specifications

#### Rated Service Flow

4.0 - 7.0 gpm.

#### Treatment Capacity

80,000 gal. (Estimated)

#### Operating Pressure

30 - 125 psi. (2 - 8.6 bar) non-shock

#### Operating Temperature

35° - 100°F (2° - 38°C)

#### Connection Size

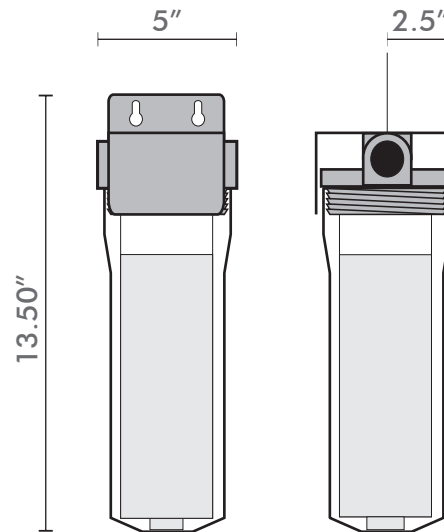
3/4" FNPT

#### Shipping Weight

6 lbs.

#### System Dimensions

13.5" x 5" x 5" (HxWxD)



#### Replacement Filter(s)

(1) 210611 - RSC-10 HW Cartridge

### Warranty

SFES systems are covered by a limited warranty against defects in material or workmanship for a period of 1 year after the date of purchase.

SFES replacement filters are covered by a limited warranty against defects in material or workmanship for a period of 1 year after the date of purchase.

Please call 1-800-935-8500 for further warranty information.

### Additional Info

Do not use with water that is microbiologically unsafe or unknown quality without adequate disinfection before or after the system

System should be installed in compliance with state and local laws and regulations.