

### System Summary

The SC-1.0 System provides excellent mineral scale prevention and corrosion control in commercial and industrial applications.

This system incorporates a HydroBlend™ media filled sump that is specifically designed to work where high water usage is expected and flow rates are high.

HydroBlend™ is utilized in a solid block cartridge form. A predetermined amount of surface area of the cartridge is exposed to the water for predictable treatment periods.



### Benefits

Sequesters scale causing minerals making them more soluble in water thus reducing the chances of precipitation as hard mineral scale.

Provides corrosion control by forming a protective micro-thin lining on wetted surfaces

Helps soften and remove existing mineral scale deposits

Energy efficiency and machine life are increased while reducing costly service calls

### Installation Summary

Place system in an accessible location for ease of filter replacement

Ensure that the system is mounted vertically with a minimum of 2" clearance from the bottom of the system to allow for filter replacement

Do not over tighten fittings

### Operating Tips

Replace sump when the product media fully dissolves to the bottom of the cartridge.

### Features

Steel mounting bracket, screws and wrench included

Compact design facilitates system placement and installation

Translucent housing indicates when the media has been dissolved and needs a new sump replacement

### Application

Light Commercial Water Heaters

Boilers

Cooling Towers

Laundry

Apartments

### System Specifications

#### Rated Service Flow

7.0 - 15.0 gpm.

#### Treatment Capacity

500,000 gal. (Estimated)

#### Operating Pressure

30 - 80 psi.

#### Operating Temperature

35° - 100°F (2° - 38°C)

#### Connection Size

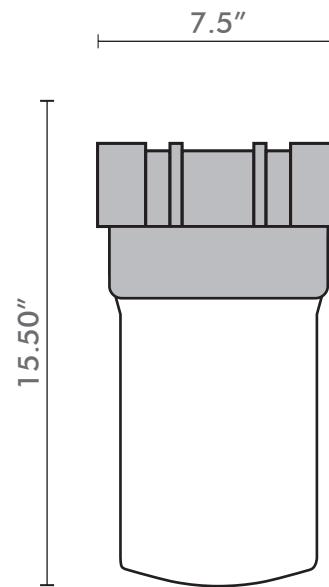
3/4" FNPT

#### Shipping Weight

21 lbs.

#### System Dimensions

15.5" x 7.5" x 7.5" (HxWxD)



#### Replacement Filter(s)

(1) 210000 - RSC-1.5 Sump Replacement

### Warranty

SFES systems are covered by a limited warranty against defects in material or workmanship for a period of 1 year after the date of purchase.

SFES replacement filters are covered by a limited warranty against defects in material or workmanship for a period of 1 year after the date of purchase.

Please call 1-800-935-8500 for further warranty information.

### Additional Info

Do not use with water that is microbiologically unsafe or unknown quality without adequate disinfection before or after the system

System should be installed in compliance with state and local laws and regulations.